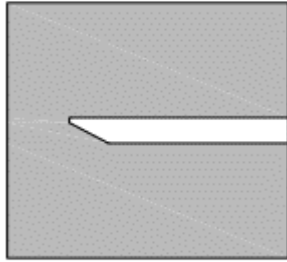
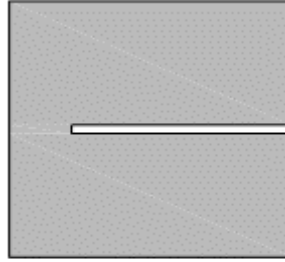


RIBBON





VENEER / SOLID SURFACE
/ STONE TOP
EDGE PROFILE



GLASS TOP
EDGE PROFILE

STANDARD METAL

BASE FINISHES:

- #304 SILVER POWDER COAT
- #305 BLACK POWDER COAT
- #306 DARK BRONZE POWDER COAT
- #307 GUN METAL POWDER COAT
- #310 SOFT WHITE POWDER COAT
- #311 WARM DARK GRAY POWDER COAT

PREMIUM METAL GRADE 1


BASE FINISHES:


- #301 POLISHED STAINLESS STEEL
- #302 SATIN STAINLESS STEEL

PREMIUM METAL GRADE 2

BASE FINISHES:

- #308 SATIN DARK BRONZE
- #314 POLISHED BRASS
- #315 BLACKENED STEEL
- #316 MIRROR BLACK MATTE
- #317 MIRROR BLACK POLISHED
- #318 CHAMPAGNE STEEL
- #319 BRUSHED AMBER
- #320 BRUSHED BRASS

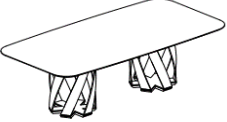
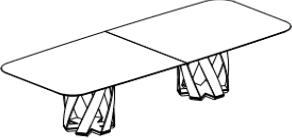
DESCRIPTION	MODEL	WIDTH	DEPTH	HEIGHT
Rectangular Table 30" Dia Metal Base 	GL TDR7236	72	36	29
	GL TDR8436	84	36	29
	GL TDR8442	84	42	29

Rectangular Table 36" Dia Metal Base 	GL TDR8448	84	48	29
	GL TDR9648	96	48	29
	GL TDR9654	96	54	29

NOTE

FINISHES

For a complete list of finishes
 please go to www.deccacontract.com




DESCRIPTION	MODEL	WIDTH	DEPTH	HEIGHT
Rectangular Table 24" Dia Metal Base 	GL TDR10242	102	42	29
	GL TDR10248	102	48	29
	GL TDR10842	108	42	29
	GL TDR10848	108	48	29
	GL TDR10854	108	54	29
	GL TDR11448	114	48	29
	GL TDR11454	114	54	29
	GL TDR12048	120	48	29
	GL TDR12054	120	54	29
		GL TDR13248	132	48
GL TDR13254		132	54	29
GL TDR13260		132	60	29
GL TDR14448		144	48	29
GL TDR14454		144	54	29
GL TDR14460		144	60	29

*** All the SSF tops and Stone tops on this page are in two sections***

NOTE

FINISHES


For a complete list of finishes
 please go to www.deccacontract.com

DESCRIPTION	MODEL	DIAMETER	HEIGHT
Round Table 20" Dia Metal Base 	GL RD36	36	29
	GL RD42	42	29
	GL RD48	48	29
Round Table 24" Dia Metal Base 	GL RD54	54	29
	GL RD60	60	29
	GL RD66	66	29
Round Table 30" Dia Base 	GL RD72	72	29

NOTE

FINISHES



For a complete list of finishes
 please go to www.deccacontract.com

DESCRIPTION	MODEL	DIAMETER	HEIGHT
Round Coffee Table 36" Dia Metal Base 	GL RCT48	48	16
	GL RCT54	54	16
	GL RCT60	60	16

NOTE

FINISHES

For a complete list of finishes
 please go to www.deccacontract.com

DESCRIPTION	MODEL	DIAMETER	HEIGHT
Round Side Table 16" High Metal Base 	GL RST161616	16	16
Round Side Table 20" High Metal Base 	GL RST161620	16	20

NOTE

FINISHES

For a complete list of finishes
 please go to www.deccacontract.com

Dimensions are in inches and are approximate.
 Contact Customer Service if dimensions are critical.

* Indicates model illustrated by line drawing.